

**NEW**

## Low-cost cryostat with 0.1W at 4.2K cryocooler launched

Cryocooling Device

### Cryostat for Optical and Electrical measurement



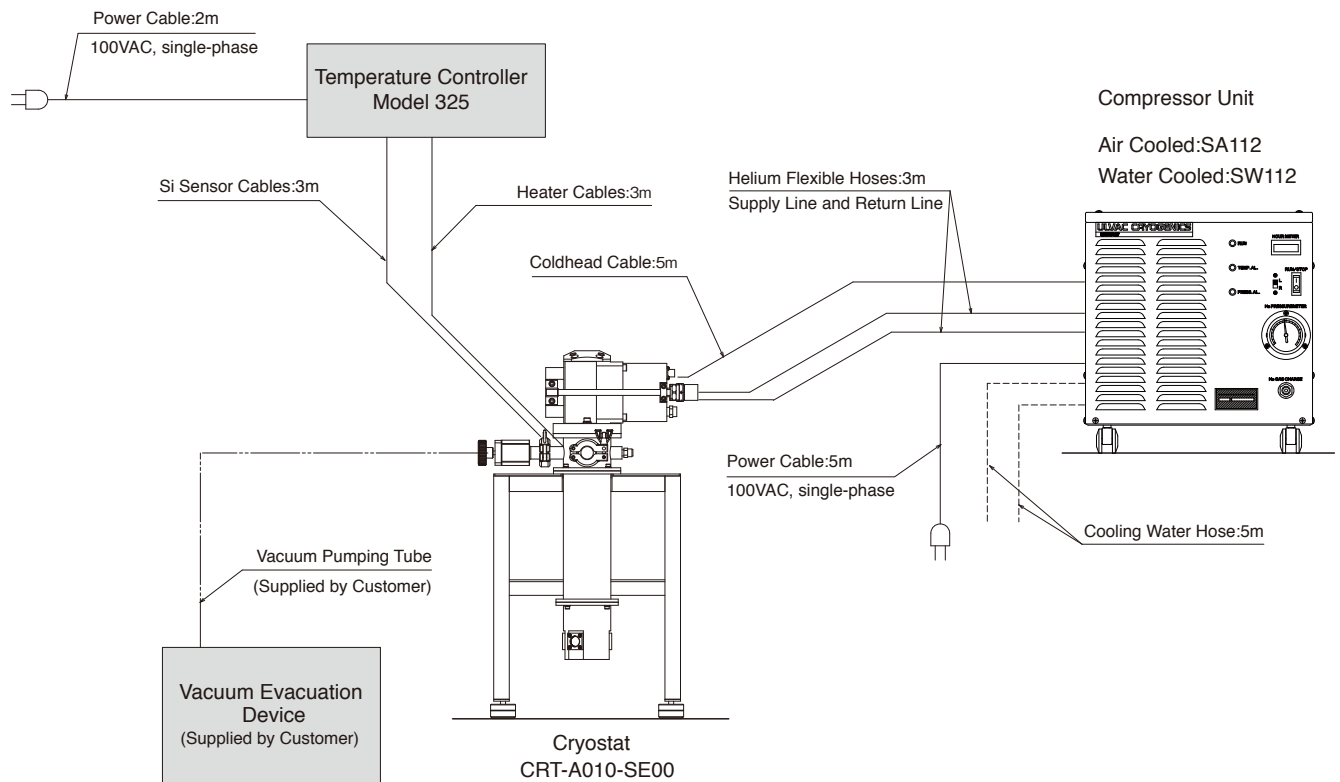
CRT-A010-SE00

- Equipped with 0.1W at 4.2K compact cryocooler
- With four large windows of  $\Phi 14$ , ultimate temperature is as low as 4.2K.
- No liquid helium required. Measurement of samples at cryogenic temperature is possible for long hours.
- Compressors can be selected from air-cooled and water-cooled
- Temperature is controlled by calibrated sensor. Samples can be cooled to desired temperature from room to cryogenic
- For optical measurement, optical axis length is adjustable from 120 to 250mm as specified at the time of production.

### Specifications

Model	CRT-A010-SE00
Ultimate Temperature	Below 4.2K
Refrigeration Capacity	0.1W/4.2K
Cooldown Time	Less than 120 minutes (to 10K)
Temperature Range	4.2K~300K
Temperature Stability	Less than $\pm 0.2K$
Optical Window	Synthetic Quartz ( $\Phi 14$ (Effective Diameter) $\times 4$ ) (Shield Opening: $\Phi 10 \times 4$ )
Lead Wire for Electrical measurement	$\Phi 0.2$ Teflon Coated Lead Wire
Temperature Sensor	Si Diode Sensor (Calibrated) 1 set

### Cryostat CRT-A010-SE00 System



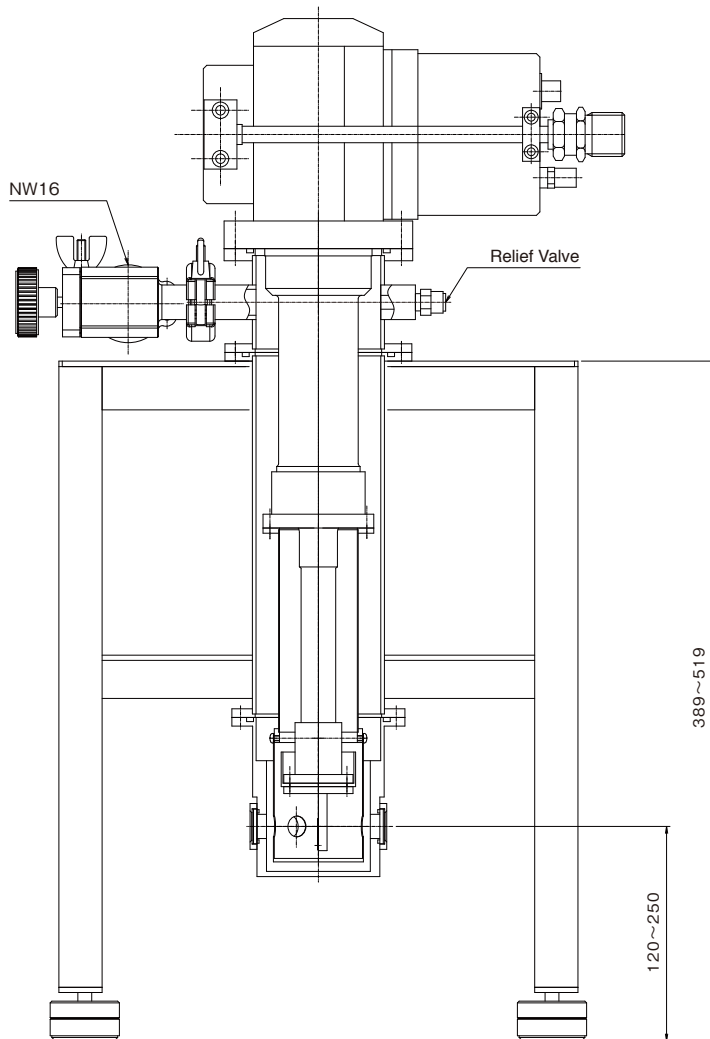
# Cryostat for Optical and Electrical measurement

## Configuration (One unit each)

Cryocooler	Coldhead HE01
	Compressor, Power Supply : 100V Single-phase Breaker capacity : 20 A (outlet only)
Cryostat for Optical, Electrical measurement	CRT-A010-SE00
Temperature Controller	Model 325

## External Dimensions

Optical Axis View



Sample Holder Detail

