

1.0W

4K GM Cryocooler

UHE10

Leading Cryogenic Technologies

ULVAC CRYOGENICS has been providing cryopumps based on many years of experience in vacuum and cryogenic fields. Now we offer cryocoolers backed by this expertise to meet the requirements in the leading-edge industries and R&D field.

Specifications

4K GM Cryocooler

| | | |
|----------------------|-----------------------------|--------------------------------|
| Model | UHE10 | |
| Cooling Capacity | 1st Stage | 40W(50Hz)/43K 50W(60Hz)/43K |
| | 2nd Stage | 1.0W/4.2K(50/60Hz) |
| Ultimate temperature | 2nd Stage | 2.7K |
| Weight | 17kg | |
| Dimension | 180(W) x 304(D) x 578(H) mm | |

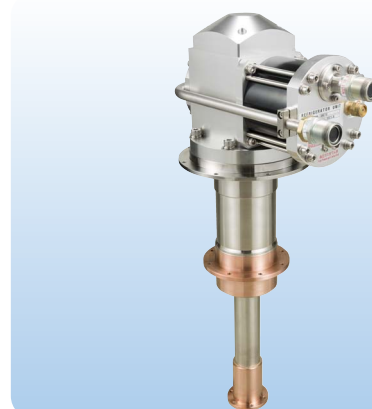
*It may vary depending on the ambient conditions or samples.

**Helium flexible lines standard length 20A x 10m

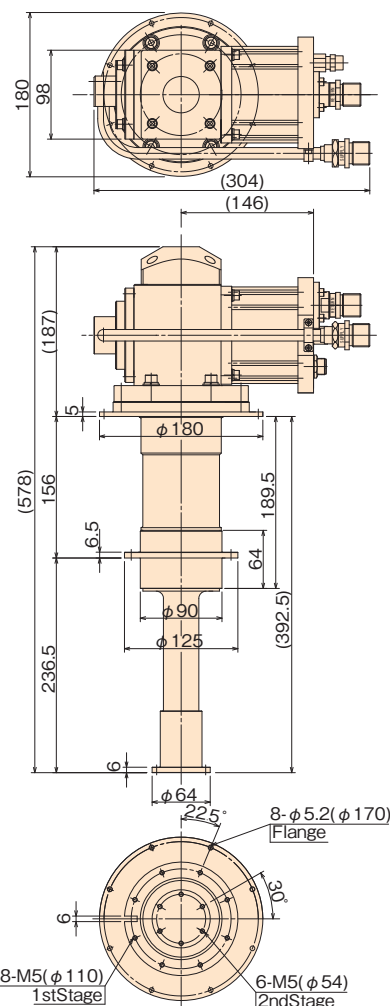
Compressor

| | |
|---------------------|--|
| Model | C30HVRT |
| Cooling method | Water cooled |
| Power supply rating | AC 200V × 3Φ × 50Hz AC 220V × 3Φ × 60Hz |
| Power consumption | 5.8/7.2kW (50/60Hz) *1 |
| Cooling water | 9L/min (20°C) |

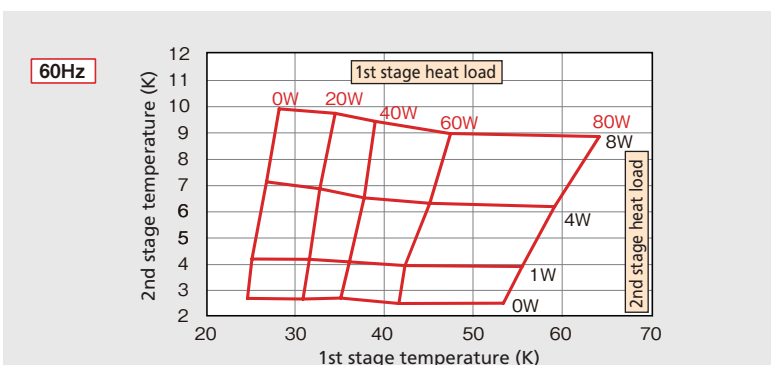
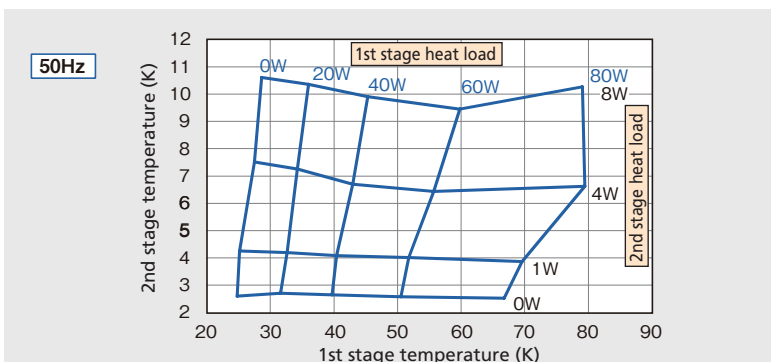
*1 When in steady-state.



Dimensions



Performance Curve



*The performance curves show typical cooling capacity and such performance is not guaranteed in all cases.

* Specifications subject to change without notice.

Export Control Policy : Vacuum pumps that pump nitrogen gas at pumping speed of 15000L/S or more fall under row 2(35) of appended table 1 of Japan' s Export Trade Control Order, which is based on international export control regimes. Also, when applying a refrigerator system to a cryocooler for optical sensors, the cryocooler falls under row 10(2) of appended table 1 of Japan' s Export Trade Control Order as well.

Customers must follow all related rules and regulations such as Foreign Exchange and Foreign Trade Act and take appropriate procedures when exporting or re-exporting those products.

ULVAC CRYOGENICS INC.
www.ulvac-cryo.com/english

Head Office & Factory Phone: +81-467-85-9366 Fax: +81-467-85-9356
1222-1, yabata, Chigasaki City, Kanagawa Prefecture 253-0085, JAPAN

Kyoto Cryogenic Technology R&D Center/Kyoto Factory
Phone: +81-774-28-5595 Fax: +81-774-20-2201
140-1, Megawa, Makishima-cho, Uji, Kyoto, 611-0041, JAPAN

