

Cryostat

For Hall Effect Measurement (Top-load Type)



CRT-A020-T500
*Reference example

For precise measurement of hall effect

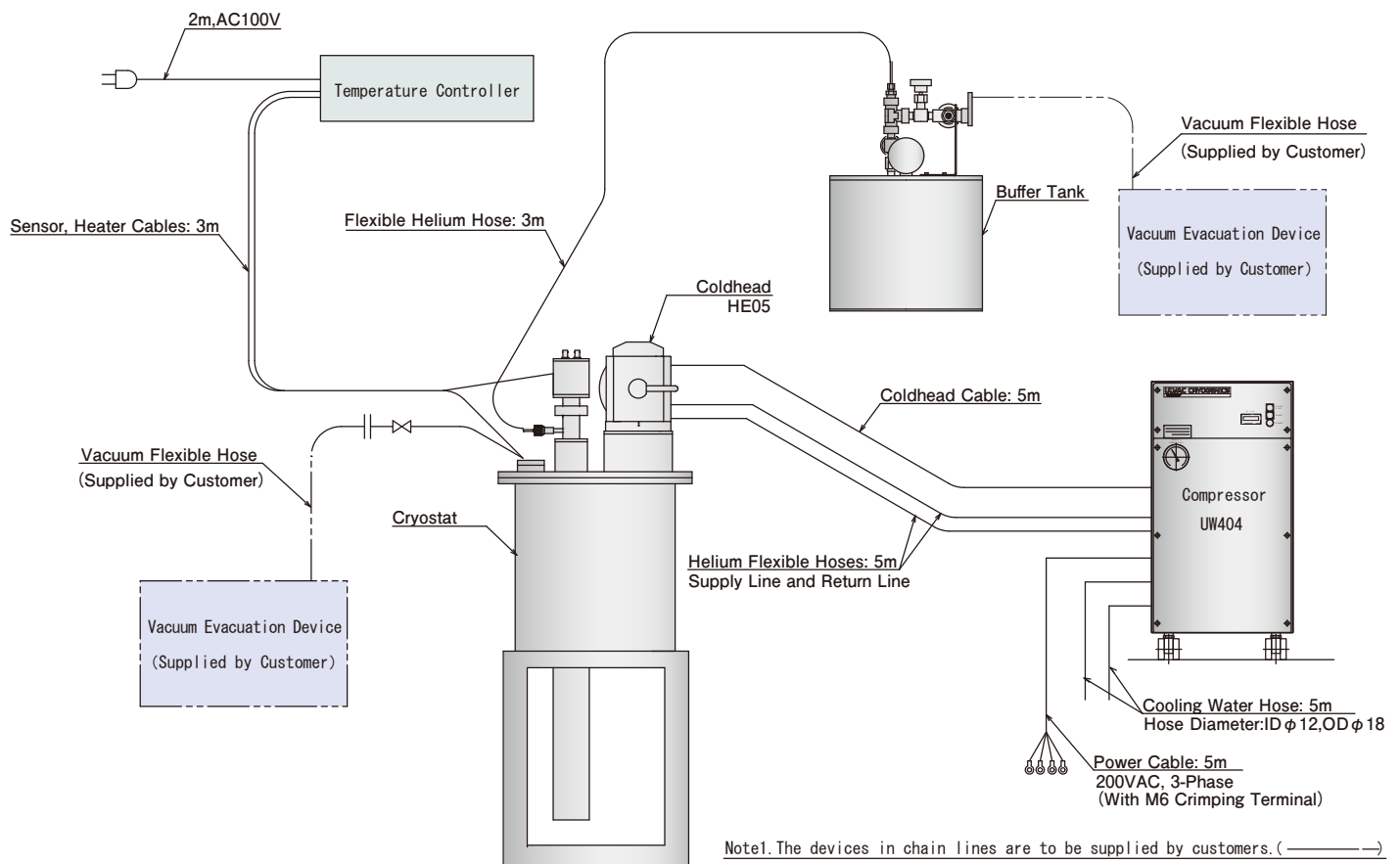
With this model, it is possible to change the temperature of samples freely from cryogenic to ambient. This model can be attached to electro-magnets.

Specifications

Model	CRT-A020-T500	CRT-C020-T500	CRT-C010-T500
Cryocooler/Compressor	HE05/UW404	D510/SW115	D105/SW112
Ultimate Temperature	5K	15K	15K
Temperature Controllable Range	5K to 300K±0.2K	15K to 300K±0.2K	15K to 300K±0.2K
Distance from Magnet	Minimum 40 mm		
Sample Dimensions (W) × (D) × (H)	10×10×1t (mm)		
Number of Samples	1		
Accessories	●Evacuation valve ●Heater for temperature control ●Lead wire (Coaxial cable): 4 ●Cryogenic thermometer (for temperature control / measurement)		

*It may vary depending on the operating condition.

Cryostat CRT-A020-T500 System



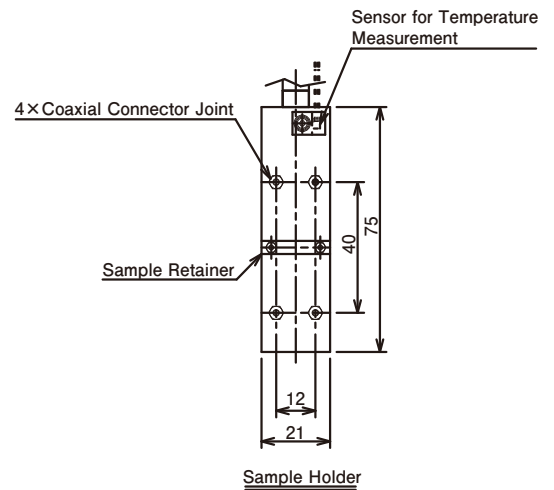
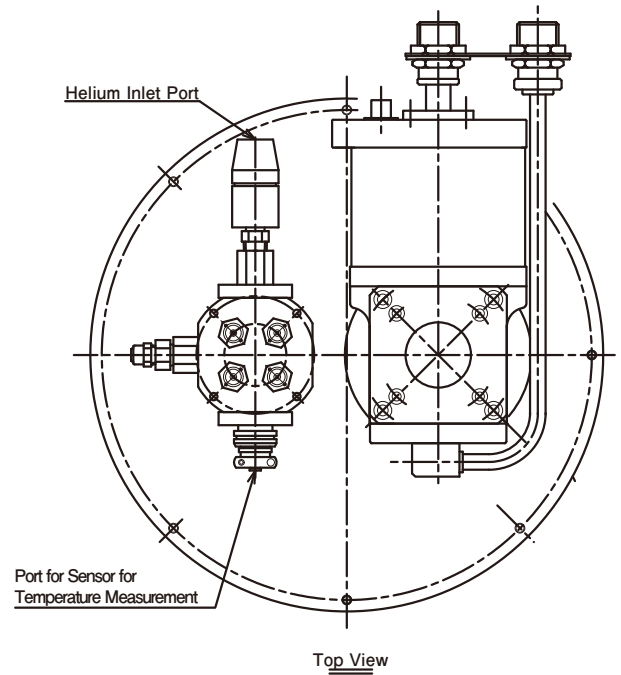
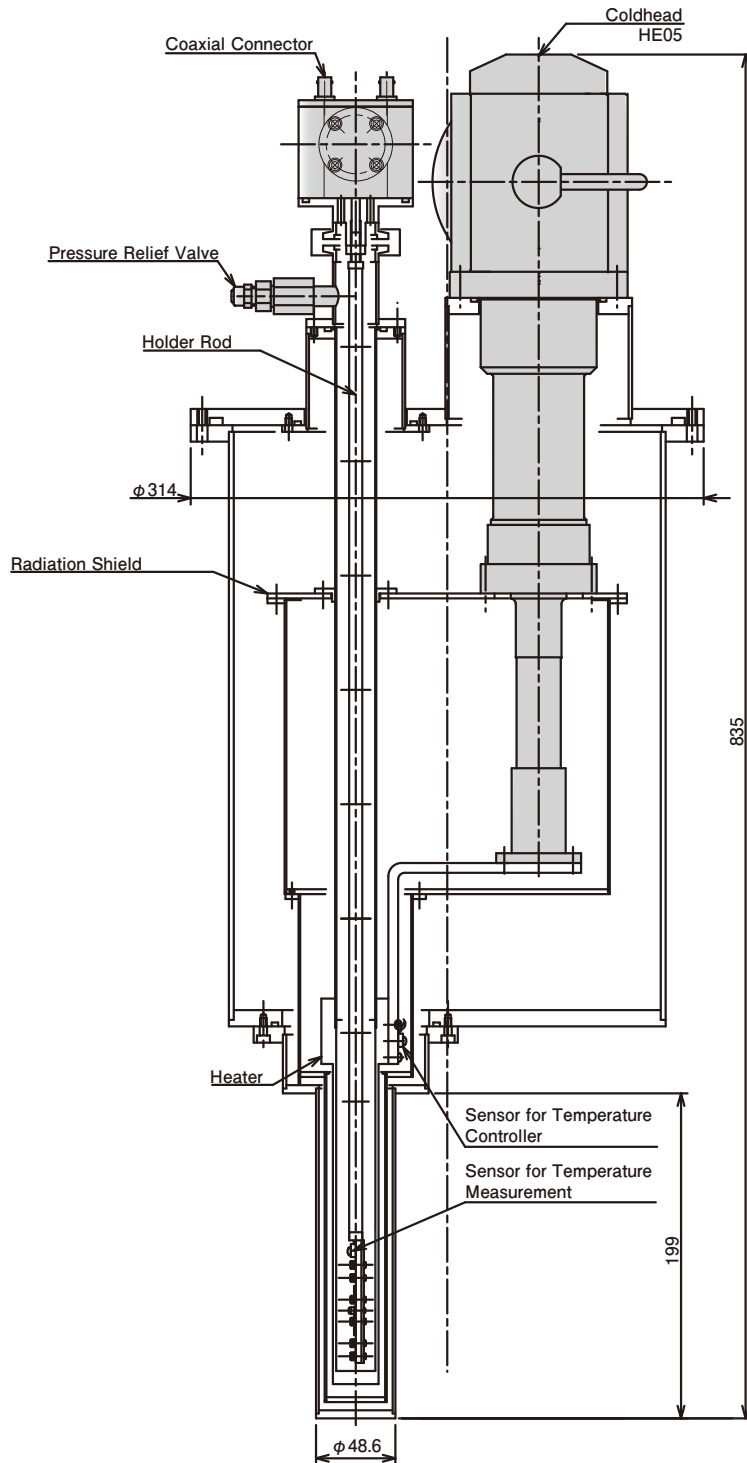
Note1. The devices in chain lines are to be supplied by customers. (———— →)

Note2. The minimum bend radius of the helium flexible hoses is 200mm.

ULVAC CRYOGENICS INC.

www.ulvac-cryo.com/english/

DIMENSIONS



ULVAC CRYOGENICS INC.
www.ulvac-cryo.com/english/

Head Office and Factory TEL:+81-(0)467-85-8884 FAX:+81-(0)467-85-9356
Technical service division TEL:+81-(0)467-85-9366
 1222-1 Yabata, Chigasaki, Kanagawa, 253-0085, JAPAN
Kyoto Factory TEL:+81-(0)774-28-5595 FAX:+81-(0)774-20-2201
 140-1, Megawa, Makishima-cho, Uji, Kyoto, 611-0041, JAPAN
Osaka Branch Office TEL:+81-(0)6-6397-0112 FAX:+81-(0)6-6397-0126
 3-3-31 Uemura Nissei bldg., Miyahara, Yodogawa-ku, Osaka, 532-0003, JAPAN

